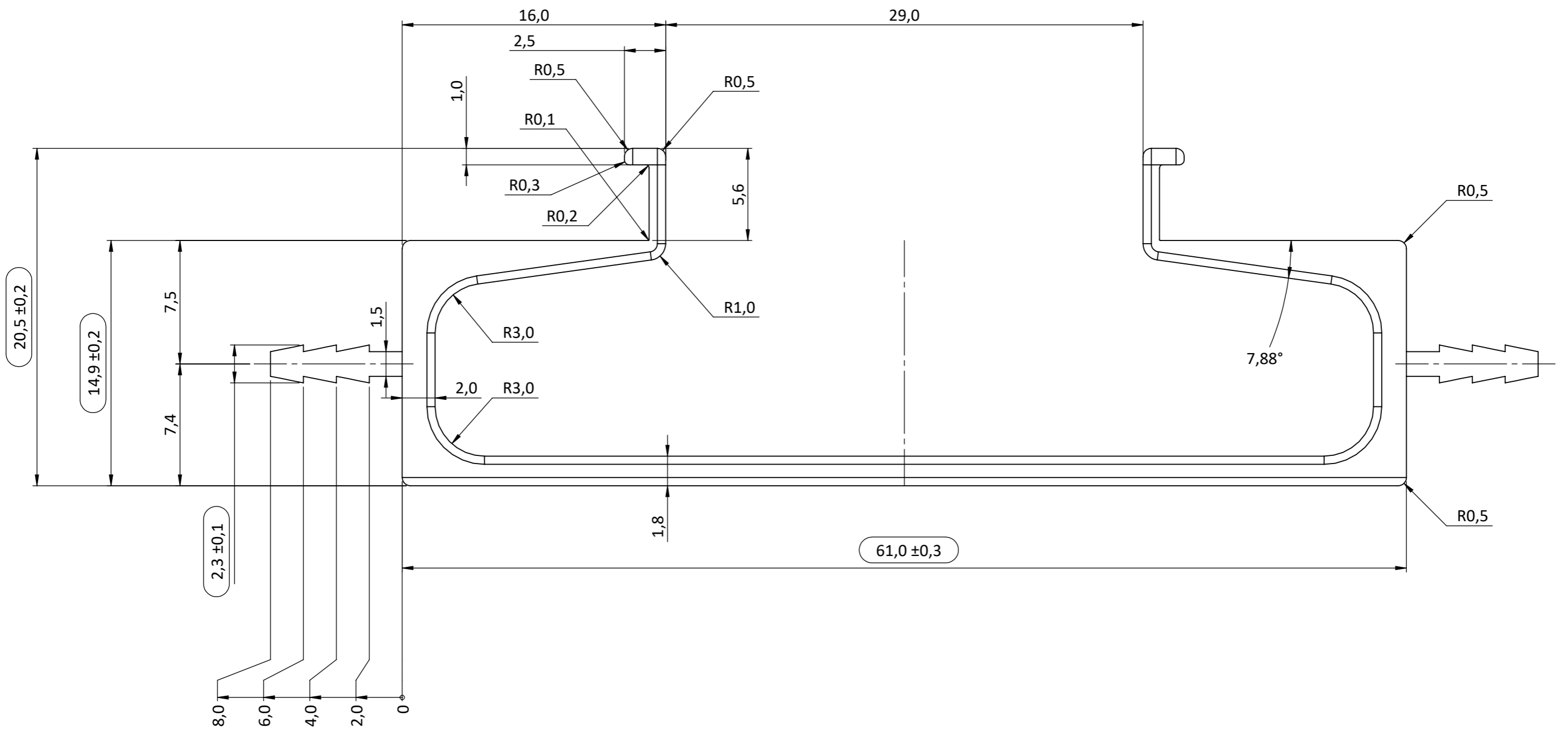


PART NO.	LENGTH MM	WEIGHT GRAM
424420296	296	207.12
424420446	446	315.64
424420496	496	351.82
424420596	596	424.16

See page 2 for more
dimensions on profile

Rev.:	Date:	Name:	Description:
A	09-01-2014	PS	Item name changed from WALL 8 to WALL DOUBLE
B	11-03-2015	PS	Corner radius changed from R0,5 to R1
C	26-10-2017	IBL	Model and drawing updated with weight and material

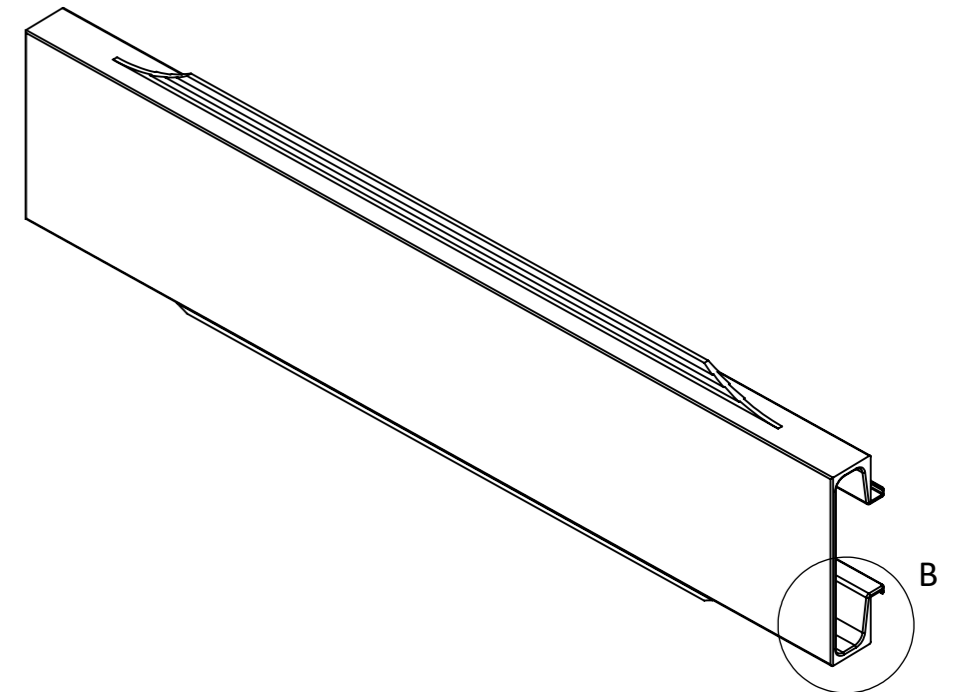
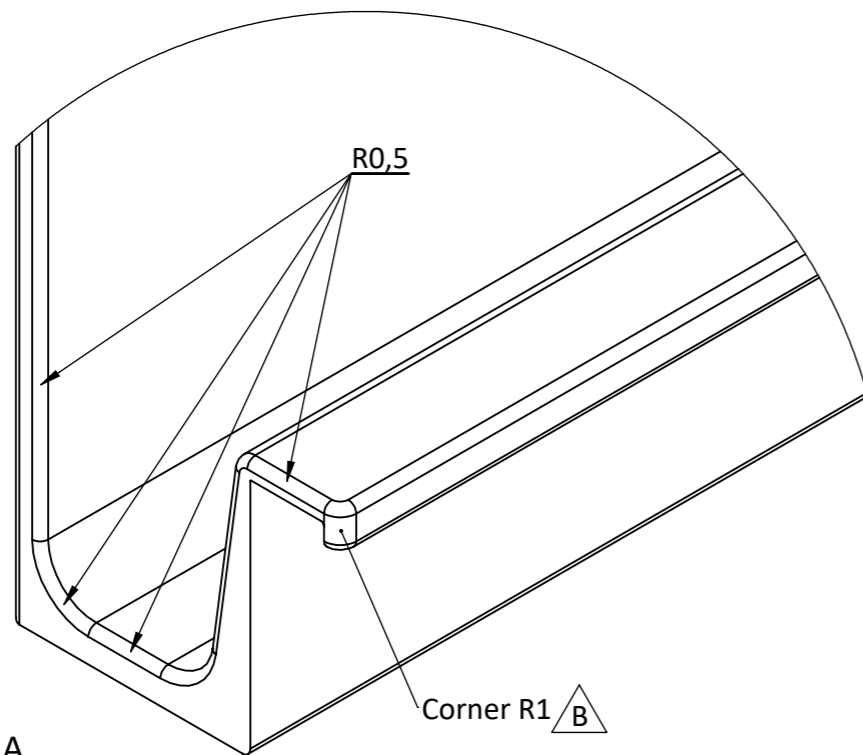
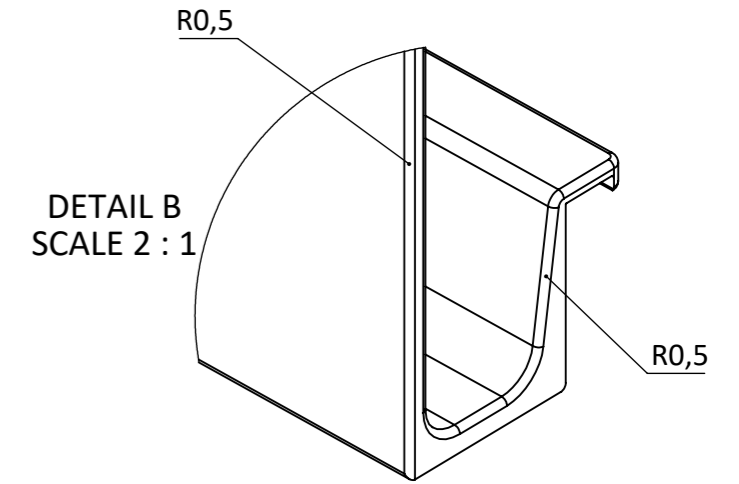
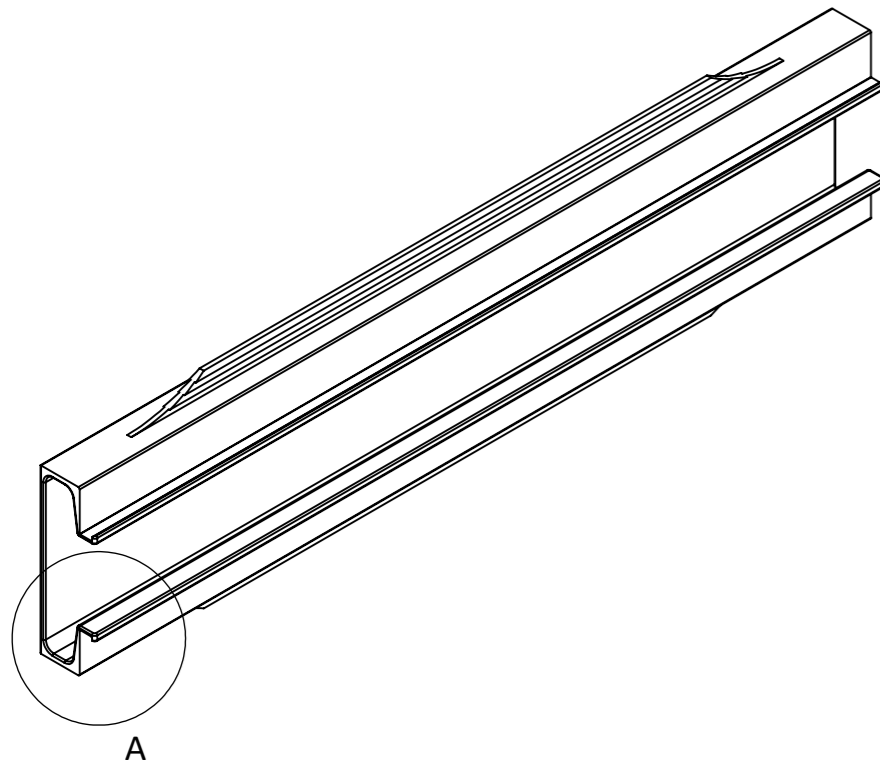
Part name: WALL DOUBLE	Projection: 	Sheet format: A3	Tolerance unless otherwise specified DS/ISO 2768-1M Linear dimensions:																		
Customer: XXX	Drawn by: PS	Scale: 1:1																			
Part no.: 424420XXX	Material: 6063-T6	Sheet 1 of 3	Weight: XXX																		
COPYRIGHT: THIS DRAWING MAY NOT BE COPIED OR REPRODUCED IN ANY WAY WITHOUT DIRECT PERMISSION FROM FURNIPART A/S			<table border="1"> <thead> <tr> <th>0-3</th> <th>3-6</th> <th>6-30</th> <th>30-120</th> <th>120-400</th> <th>400-1000</th> <th>1000-2000</th> </tr> </thead> <tbody> <tr> <td>±0,1</td> <td>±0,1</td> <td>±0,2</td> <td>±0,3</td> <td>±0,5</td> <td>±0,8</td> <td>±1,2</td> </tr> </tbody> </table> <table border="1"> <thead> <tr> <th>Angle</th> <th>Radius</th> </tr> </thead> <tbody> <tr> <td>±0,5°</td> <td>±5%</td> </tr> </tbody> </table> furnipart® Delta 2 Phone: +45 87 64 35 00 DK-8382 Hinnerup E-mail: fp@furnipart.com	0-3	3-6	6-30	30-120	120-400	400-1000	1000-2000	±0,1	±0,1	±0,2	±0,3	±0,5	±0,8	±1,2	Angle	Radius	±0,5°	±5%
0-3	3-6	6-30	30-120	120-400	400-1000	1000-2000															
±0,1	±0,1	±0,2	±0,3	±0,5	±0,8	±1,2															
Angle	Radius																				
±0,5°	±5%																				



Rev.:	Date:	Name:	Description:
A	09-01-2014	PS	Item name changed from WALL 8 to WALL DOUBLE
B	11-03-2015	PS	Corner radius changed from R0,5 to R1
C	26-10-2017	IBL	Model and drawing updated with weight and material

Part name: WALL DOUBLE	Projection: 	Sheet format: A3	Tolerance unless otherwise specified DS/ISO 2768-1M Linear dimensions: <table border="1"> <tr> <td>0-3</td> <td>3-6</td> <td>6-30</td> <td>30-120</td> <td>120-400</td> <td>400-1000</td> <td>1000-2000</td> </tr> <tr> <td>±0,1</td> <td>±0,1</td> <td>±0,2</td> <td>±0,3</td> <td>±0,5</td> <td>±0,8</td> <td>±1,2</td> </tr> </table>	0-3	3-6	6-30	30-120	120-400	400-1000	1000-2000	±0,1	±0,1	±0,2	±0,3	±0,5	±0,8	±1,2
0-3	3-6	6-30		30-120	120-400	400-1000	1000-2000										
±0,1	±0,1	±0,2	±0,3	±0,5	±0,8	±1,2											
Customer: XXX	Drawn by: PS	Scale: 4:1	<table border="1"> <tr> <th>Angle</th> <th>Radius</th> </tr> <tr> <td>±0,5°</td> <td>±5%</td> </tr> </table>	Angle	Radius	±0,5°	±5%										
Angle	Radius																
±0,5°	±5%																
Part no.: 424420XXX	Sheet 2 of 3	 Delta 2 Phone: +45 87 64 35 00 DK-8382 Hinnerup E-mail: fp@furnipart.com															
Material: 6063-T6	Weight: XXX																

COPYRIGHT: THIS DRAWING MAY NOT BE COPIED OR REPRODUCED IN ANY WAY WITHOUT DIRECT PERMISSION FROM FURNIPART A/S



DETAIL A
SCALE 3 : 1

DETAIL B
SCALE 2 : 1

Rev.:	Date:	Name:	Description:
A	09-01-2014	PS	Item name changed from WALL 8 to WALL DOUBLE
B	11-03-2015	PS	Corner radius changed from R0,5 to R1
C	26-10-2017	IBL	Model and drawing updated with weight and material

Part name: WALL DOUBLE	Projection: 	Sheet format: A3	Tolerance unless otherwise specified DS/ISO 2768-1M Linear dimensions: <table border="1"> <tr> <td>0-3</td> <td>3-6</td> <td>6-30</td> <td>30-120</td> <td>120-400</td> <td>400-1000</td> <td>1000-2000</td> </tr> <tr> <td>±0,1</td> <td>±0,1</td> <td>±0,2</td> <td>±0,3</td> <td>±0,5</td> <td>±0,8</td> <td>±1,2</td> </tr> </table>	0-3	3-6	6-30	30-120	120-400	400-1000	1000-2000	±0,1	±0,1	±0,2	±0,3	±0,5	±0,8	±1,2
0-3	3-6	6-30		30-120	120-400	400-1000	1000-2000										
±0,1	±0,1	±0,2	±0,3	±0,5	±0,8	±1,2											
Customer: XXX	Drawn by: PS	Scale: 1:2	<table border="1"> <tr> <td>Angle</td> <td>Radius</td> </tr> <tr> <td>±0,5°</td> <td>±5%</td> </tr> </table>	Angle	Radius	±0,5°	±5%										
Angle	Radius																
±0,5°	±5%																
Part no.: 424420XXX	Sheet 3 of 3	Weight: XXX	 Delta 2 Phone: +45 87 64 35 00 DK-8382 Hinnerup E-mail: fp@furnipart.com														
Material: 6063-T6	COPYRIGHT: THIS DRAWING MAY NOT BE COPIED OR REPRODUCED IN ANY WAY WITHOUT DIRECT PERMISSION FROM FURNIPART A/S																